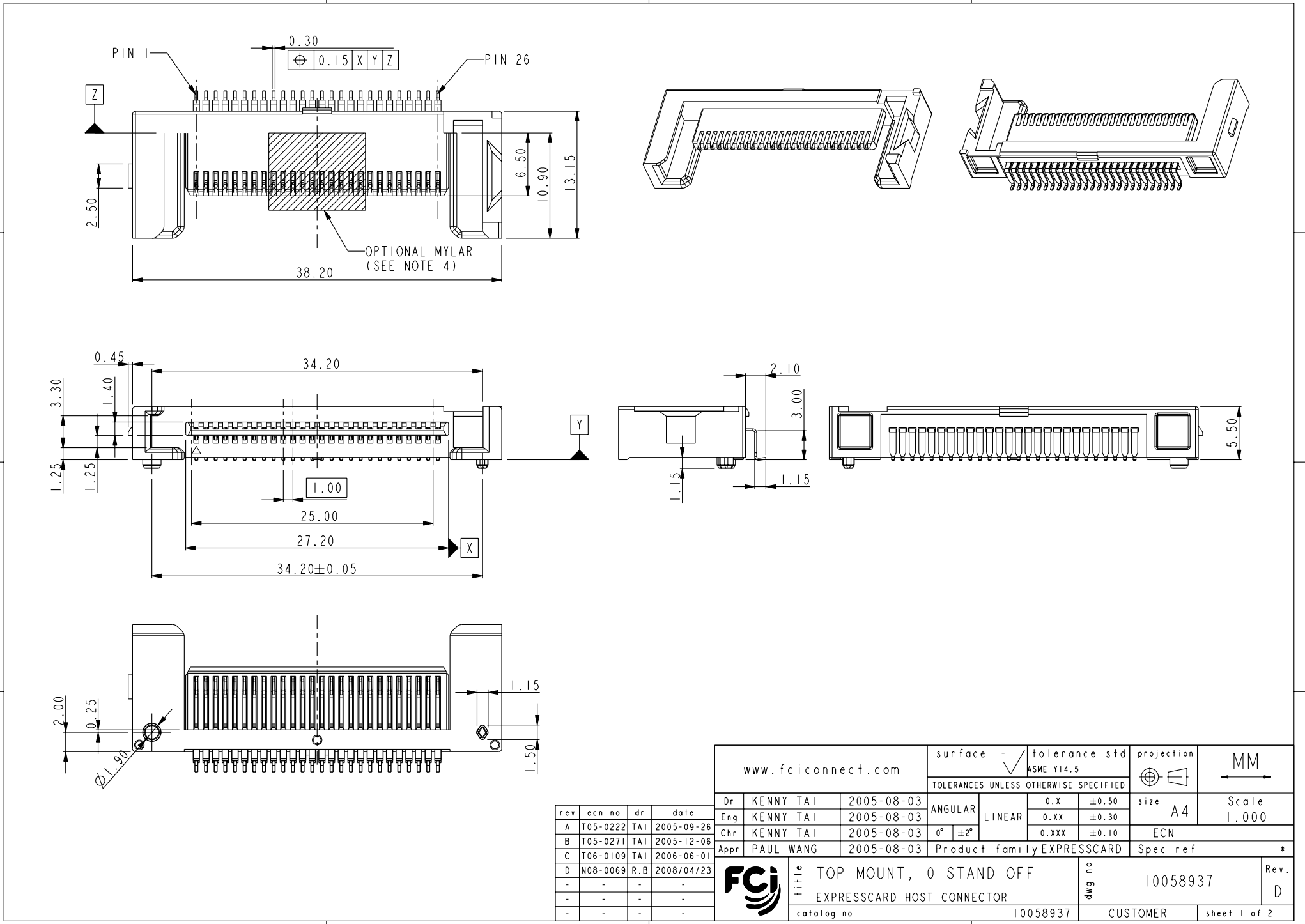




Copyright FCI.



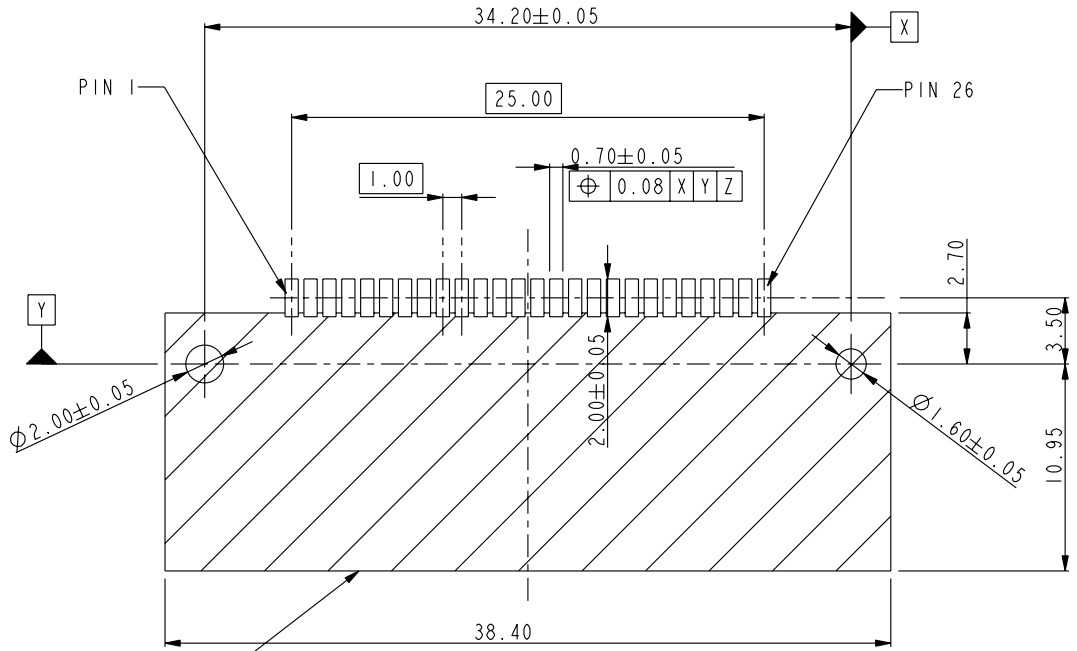
REV F - 2006-04-17

rev	ecn no	dr	date
A	T05-0222	TAI	2005-09-26
B	T05-0271	TAI	2005-12-06
C	T06-0109	TAI	2006-06-01
D	N08-0069	R.B	2008/04/23
-	-	-	-
-	-	-	-
-	-	-	-

www.fciconnect.com		surface - ✓	tolerance std	projection	MM
		ASME Y14.5		← →	
TOLERANCES UNLESS OTHERWISE SPECIFIED					
Dr	KENNY TAI	2005-08-03	ANGULAR	0.X	±0.50
Eng	KENNY TAI	2005-08-03	LINEAR	0.XX	±0.30
Chr	KENNY TAI	2005-08-03	0°	0.XXX	±0.10
Appr	PAUL WANG	2005-08-03	Product family EXPRESSCARD		Spec ref *
FCI			title TOP MOUNT, 0 STAND OFF		dwg no 10058937
			EXPRESSCARD HOST CONNECTOR		Rev. D
			catalog no 10058937	CUSTOMER	sheet 1 of 2



Copyright FCI.



NOTES :

- MATERIAL:  
HOUSING: HIGH TEMPERATURE THERMOPLASTIC,  
UL 94 V-0 FLAME RETARDANT.  
TERMINAL: COPPER ALLOY.  
PLATING SPEC. AS BELOW :  
Ni 50u" UNDER PLATED.  
Au OR GXT OVER CONTACT AREA. (ONE SIDE)  
Tin 120u" OVER SOLDERING AREA.
- PACKING SPEC. GS-14-924.
- PRODUCT PERFORMANCE PER SPEC. GS-12-285.
- PART NUMBER SCHEME: (EX. 10058937-100ABSMLF)  
10058937-X XX X X X X LF (LEAD FREE)

SPEC.	OPTION (CODE)			
	MYLAR	WITH (M)	WITHOUT ( )	
PACKING	TRAY (S)	TAPE & REEL (T)	TUBE (P)	
HSG COLOR	BLACK (B)	NATURE (N)		
MOUNT SIDE	ABOVE (A)			
STAND-OFF	0 (00)			
PLATING	GOLD 30u" (1)	GXT 30u" (2)		
		GXT 15u" (4)		

- RoHS COMPATIBLE PRODUCT SPECIFICATIONS  
a-PLATING:  
- "LF" MEANS THE PRODUCT IS LEAD-FREE, 2micro-meter MINIMUM MATTE TIN OVER 1.27micro-meter MINIMUM NICKEL UNDERPLATE.  
b-MANUFACTURING PROCESS COMPATIBILITY:  
- THE HOUSING WILL WITHSTAND EXPOSURE TO 260°C±5°C SOLDER BATH TEMPERATURE FOR 5 SECONDS IN A REFLOW SOLDER APPLICATION WITH A 1.6mm MIN THICK CIRCUIT BOARD.
- UMNATING FORCE: 18.5N MAX.

www.fciconnect.com			surface <input checked="" type="checkbox"/>	tolerance std ASME Y14.5	projection ⊕	MM				
			TOLERANCES UNLESS OTHERWISE SPECIFIED							
Dr	KENNY TAI	2005-08-03	ANGULAR	LINEAR	0.X	±0.50	size	A4	Scale	1.000
Eng	KENNY TAI	2005-08-03			0°	±2°	0.XX	±0.30	ECN	
Chr	KENNY TAI	2005-08-03			0.XXX	±0.10				
Appr	PAUL WANG	2005-08-03	Product family			EXPRESSCARD	Spec ref		*	
FCI			TOP MOUNT, 0 STAND OFF			10058937		Rev. D		
			EXPRESSCARD HOST CONNECTOR			CUSTOMER		sheet 2 of 2		

REV F - 2006-04-17